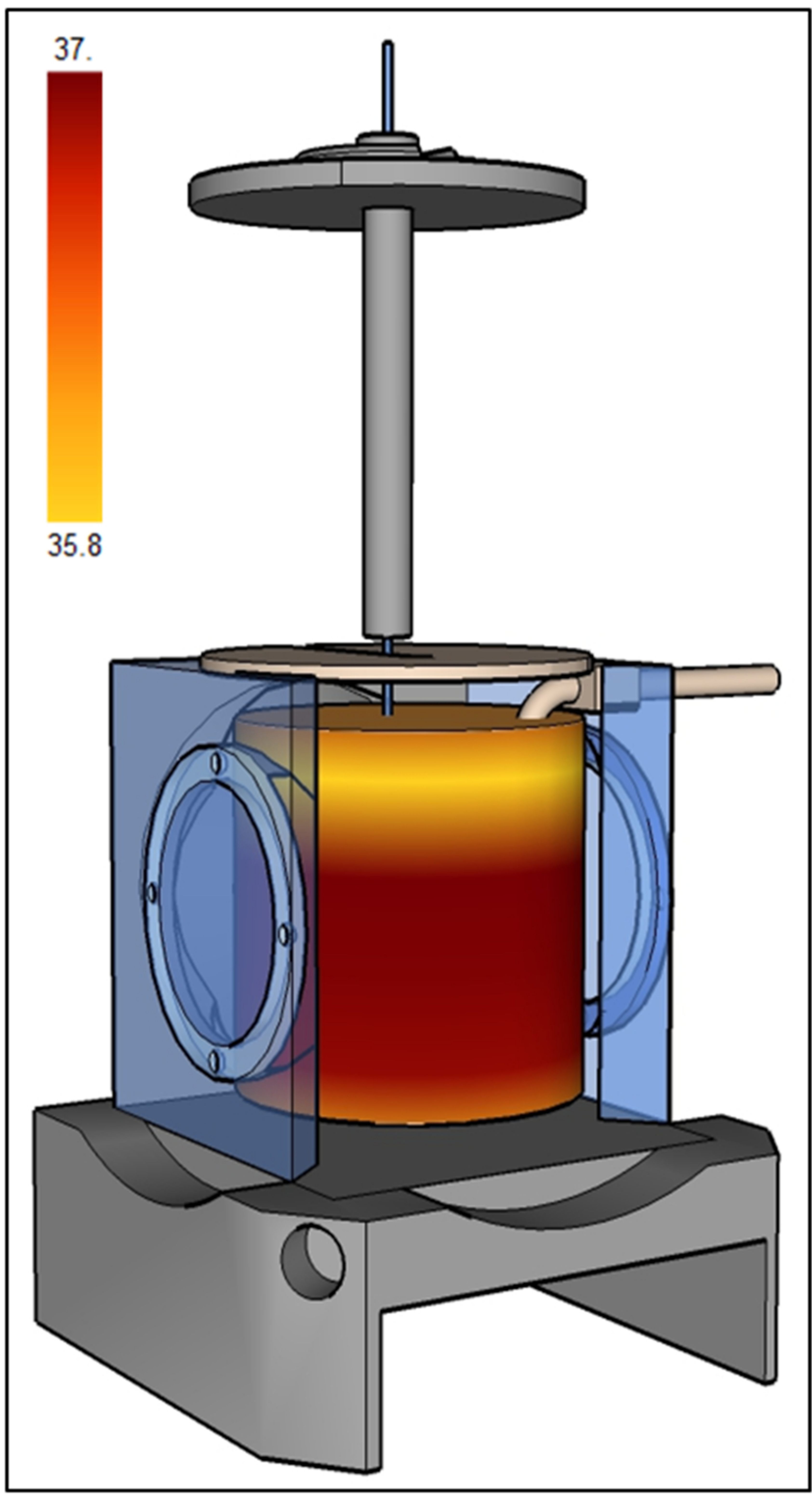
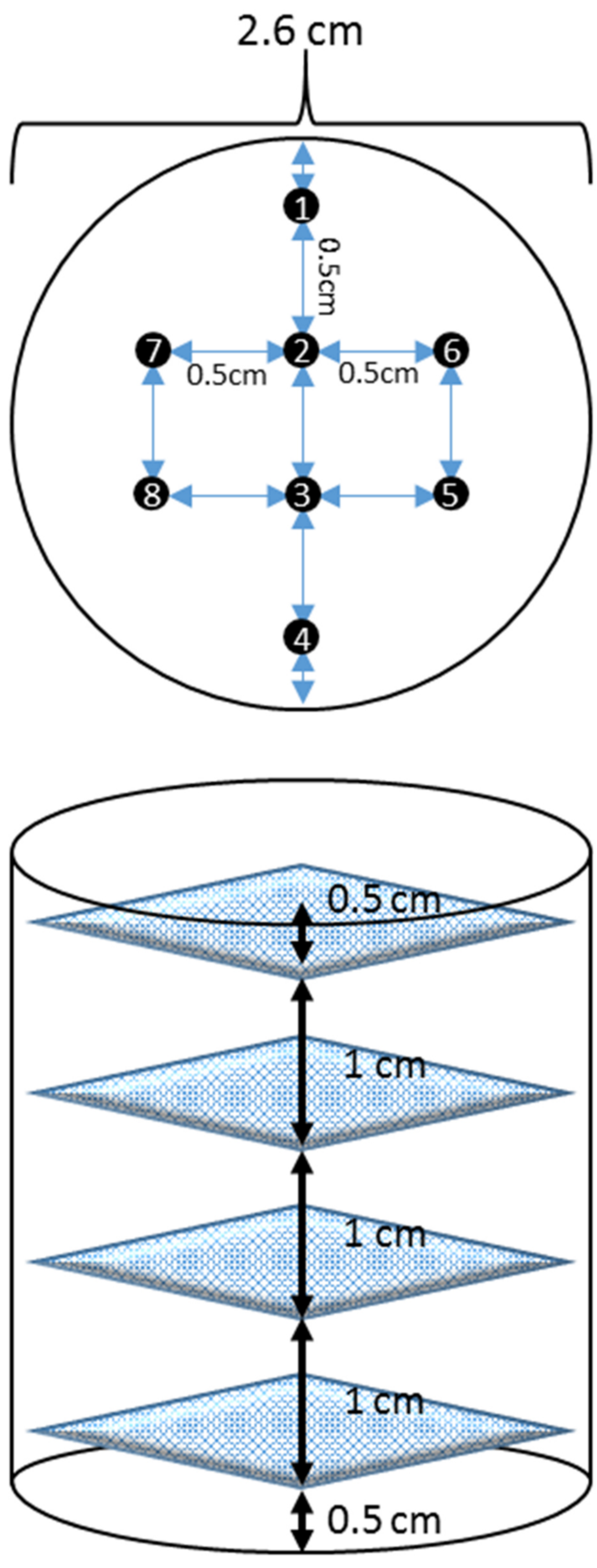


a



Temperature - landmarks



b

Heating-up time

