

# Licensing German Negative Polarity Items in LTAG

**Timm Lichte**

University of Tübingen  
Collaborative Research Center 441  
timm.lichte@uni-tuebingen.de

**Laura Kallmeyer**

University of Tübingen  
Collaborative Research Center 441  
lk@sfs.uni-tuebingen.de

## Abstract

Our paper aims at capturing the distribution of negative polarity items (NPIs) within lexicalized Tree Adjoining Grammar (LTAG). The condition under which an NPI can occur in a sentence is for it to be in the scope of a negation with no quantifiers scopally intervening. We model this restriction within a recent framework for LTAG semantics based on semantic unification. The proposed analysis provides features that signal the presence of a negation in the semantics and that specify its scope. We extend our analysis to modelling the interaction of NPI licensing and neg raising constructions.

## 1 Introduction

### 1.1 Negative Polarity Items

NPIs are distributionally restricted to linguistic environments that exhibit a trigger for negativity (see e.g., Ladusaw, 1980; Linebarger, 1987; Zwarts, 1997). More precisely, NPIs seek to be placed within the scope of a negative operator at the level of semantics. We say that the NPI has to be *licensed* by an exponent of negativity, the *licenser*. Examples in German can be found in (1)–(5) (the NPI is underlined while the licenser is in bold face).

- (1) a. Hans war **nicht** sonderlich zufrieden mit  
Hans was not very happy with  
seiner Arbeit  
his work  
b. \*Hans war sonderlich zufrieden mit seiner  
Arbeit

- (2) a. Er hat es **nicht** wahrhaben wollen  
he has it not accept\_to\_be\_true want  
(‘He did not want to accept it to be true’)  
b. \*Er hat es wahrhaben wollen.  
(3) a. Es schert ihn **nicht**  
it bothers him not  
(‘He does not give a damn about it’)  
b. \*Es schert ihn.  
(4) a. Du brauchst diese Bücher **nicht** zu lesen  
you need these books not to read  
(‘You need not read these books’)  
b. \*Du brauchst diese Bücher zu lesen.  
(5) a. **Niemand** hat auch nur einen Cent  
nobody has even one cent  
gespendet.  
donated  
(‘Nobody has donated any cent at all.’)  
b. \*Auch nur einen Cent hat **niemand**  
gespendet.

We will mainly be concerned with verbal NPIs such as *wahrhaben wollen* (‘accept to be true’) and *scheren* (‘to give a damn about’). Another group of NPIs we will pay closer attention to are *minimizers*, here exemplified by *auch nur ein Cent* (‘any Cent at all’). They are quantifiers denoting the bottom line of a scale and therefore show affinity with negation due to pragmatic reasons. Furthermore, minimizers as quantifiers are subject to particular position restrictions with respect to negation (see next section). A group of NPIs we will leave aside in this paper, however, is that of adjectival NPIs such as *sonderlich* (‘very’).

### 1.2 NPI Licensers

Various items and constructions can license NPIs. Besides the more obvious ones such as *not*, *nobody* and *never*, also (among others) *few*, re-

strictors of universal quantifiers, conditional antecedents and questions can license at least some of the NPIs. There has been much controversy about what the characterizing logical property of licensers is. One proposal is based on the notion of *downward entailment* (DE, Ladusaw, 1980), which holds for operators whose truth value is persistent over specification. While the DE property can be found in most of the licensers, there are some, such as questions, where it is hard to detect (see van der Wouden, 1997 for an overview).<sup>1</sup>

In our proposal we don't make use of DE as an NPI licensing criterion. Instead we only require the negation operator ( $\neg$ ) in the semantic representation as licensing feature. We thereby restrict ourselves to triggers of 'classic' negation; we go even further and only implement *non-contrastive* negation. We use this term after Jacobs (1982) where *non-contrastive negation* (NCN) and *contrastive negation* (CN) are examined for German. They differ in that sentences with CN can be extended by a but-phrase (*Sondern-Phrase*) while adding a but-phrase to sentences with NCN gives odd results. Put differently, CN focuses on parts of a sentence while NCN does not.<sup>2</sup> Whether CN or NCN is available, is indicated by intonation and position of the negative element. However, ambiguous indications are possible. In our analysis, we leave aside intonation and stick to unambiguous NCN as far as possible.

### 1.3 Semantic Scope and Range of Licensing

It is not sufficient for an NPI to just co-occur with a licenser in the same sentence; it has to be in the licenser's scope. Furthermore, additional constraints have been proposed in the literature. One of the most extensively discussed requires the NPI to be c-commanded by the licenser on surface structure (*c-command constraint*, Ladusaw, 1980). As Hoeksema (2000) points out, the c-command constraint is too restrictive when applied to languages with a considerably freer word order than English, e.g. Dutch and German (see (4) for an example that does not respect the c-command constraint). He also points out that the need for the c-command constraint only arises

<sup>1</sup>Giannakidou (1997) therefore proposes the idea of *non-veridicality* as being the basic logical property of NPI-licensers - eventually facing the problem of being less restrictive than required.

<sup>2</sup>If CN is available NPIs can only be licensed in the part focused by CN.

from capturing the distribution of minimizers. All other NPIs obey a simple scope constraint in terms of Linebarger's immediate scope constraint (ISC, Linebarger, 1980; Linebarger, 1987), namely that no other propositional operators (i.e. "logical elements" that are capable of entering into scope ambiguities) may intervene between the licenser and the NPI on LF.

While the ISC seems to hold for quantifiers, quantificational adverbs and operators that conjoin propositions such as *because*, there are in fact some operators that may scopally intervene. Among them are non-quantificational adverbs, minimizers and modals, as in (6):

- (6) Peter hat **keinen** Finger rühren müssen.  
Peter has no finger move must  
(‘Peter didn't need to lift a finger.’)

In (6), the negation always has wide scope with respect to the modal *müssen* (must), hence *müssen* intervenes between negation and NPI, but still the sentence is grammatical.

Thus, our criterion for an NPI to be licensed is 1. to be in the scope of a negation that is semantically interpreted in the same finite clause, and 2. not to allow regular quantifiers to scopally intervene between negation and NPI. In this paper, we will also refer to these criteria as *immediate scope*.<sup>3</sup> Minimizers seem to add a third criterion, namely that the licenser has to syntactically c-command the minimizer.

Independently from the ISC, one has to keep in mind that negative elements in German are able to cancel each other out, that is to constitute double negation. We will come back to this briefly in section 3.

### 1.4 Neg Raising Constructions

We extend our analysis to so-called *neg raising* (NR, cf. Horn, 1978) constructions because there are interesting interactions between NPI licensing and neg raising.

<sup>3</sup>Note that with this approach, one negation can even license several NPIs as in (i):

- (i) **Kein** Schüler hat jemals in den Ferien  
no pupil has ever in the holidays  
sonderlich viel gelernt.  
particularly much learned  
(‘No pupil has ever learned very much during the holidays.’)

An example of a NR-verb is *glauben* (‘believe’) in (7).

- (7) Hans glaubt **nicht**, dass Peter kommt.  
 Hans believes not that Peter comes  
 (‘Hans does not believe that Peter is coming.’)

The negation can either take scope at its surface position, i.e., scope over *glauben*, or it can scope within the embedded sentence. Hence, two interpretations are generally available: (a)  $\neg\text{believe}(p)$  and (b)  $\text{believe}(\neg p)$ . The second reading is possible only with NR-verbs.

In LTAG, lexical material is generated at its surface structure position, there is no movement outside the lexicon. Therefore it is natural to assume with respect to sentences as (7), that the negation is syntactically generated in the matrix clause and that neg raising attitude verbs such as *glauben* allow for semantic lowering of an attached negation. This negation then receives wide scope within the sentential complement. In this, we follow the HPSG analysis proposed in Sailer (to appear).

The presence of an NPI in the embedded sentence as in (8) forces the negation to scope under the bridge verb, that is the (b)-interpretation is chosen.

- (8) Hans glaubt **nicht**, dass Peter  
 Hans believes not that Peter  
sonderlich glücklich sein wird.  
 very happy be will  
 (‘Hans does not believe that Peter will be very happy.’)

## 2 The LTAG Semantics Framework

We use the Kallmeyer and Romero (2005) framework for semantics. Each elementary tree is linked to a semantic representation containing Ty2 terms and scope constraints. Ty2 terms are typed  $\lambda$ -terms providing individuals and situations as basic types. The terms can be labeled, and they can contain meta-variables. The scope constraints are subordination constraints of the form  $x \geq y$  (‘ $y$  is a component of  $x$ ’) with  $x$  and  $y$  being either propositional labels or propositional meta-variables.

The semantic representations are equipped with feature structure descriptions. Semantic computation is done on the derivation tree and consists of certain feature value equations between mother and daughter nodes of edges in the derivation tree.

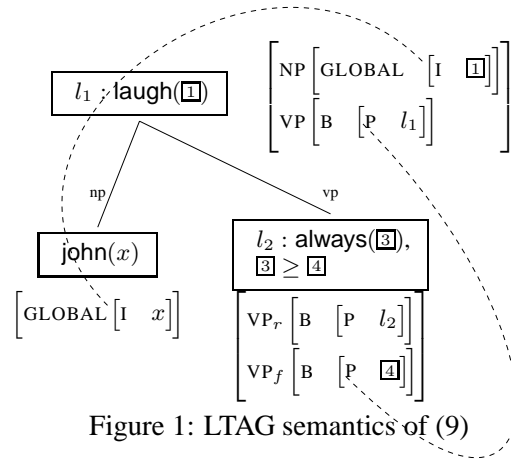


Figure 1: LTAG semantics of (9)

The meta-variables from the semantic representations can occur in the feature structure descriptions. In this case they can receive values following from the feature value equations performed on the derivation tree.

As an example see Fig. 1 showing the derivation tree for (9) with semantic representations and semantic feature structure descriptions as node labels.

- (9) John always laughs

The additional feature equations in this example are depicted with dotted links. They arise from top-bottom feature identifications parallel to the unifications performed in FTAG (Vijay-Shanker and Joshi, 1988) and from identifications of global features. They yield  $1 = x$  and  $4 = l_1$ . Applying these identities to the semantic representations after having built their union leads to (10). The constraint  $3 \geq l_1$  states that  $l_1 : \text{laugh}(x)$  is a component of  $3$ .

- (10)  $\text{john}(x), l_2 : \text{always}(3),$   
 $l_1 : \text{laugh}(x),$   
 $3 \geq l_1$

We assume a scope window for quantifiers specifying an upper boundary MAXS (‘maximal scope’) and a lower boundary MINS (‘minimal scope’) for the nuclear scope. In this we follow Kallmeyer and Romero (2005). In addition, however, we make use of the feature MINP (‘minimal proposition’). In their analysis, which was developed for English, MINS and MINP are the same, in other words, there is no separate MINP feature. In German, the minimal scope of a quantifier seems to depend not only on the verb the quantifier attaches to but also on other factors (see Kallmeyer

and Romero, 2006 in this volume for the influence of word order on quantifier scope in German). This justifies the assumption that German MINS is different from English MINS. The scope order is of course such that MAXS is higher than MINS which is in turn higher than MINP.

In order to deal with NPI-licensing we introduce three new features: a global and a local NEG-feature and the global feature N-SCOPE. Not surprisingly, the latter represents the scope of a negative operator, while the former is needed to check the presence of a negative operator. The next section offers detailed examples.

### 3 The Analysis of Licensers

In this section we give the elementary trees for non-contrastive *nicht* (not) and *niemand* (nobody).

A strong trigger for NCN is *nicht* attached to the verb. Based on the topological field theory for German the attachment takes place at the right satzklammer, a position that together with the left satzklammer contains the verbal expression.<sup>4</sup> As an example see the derivation for (11) in Fig. 2.

- (11) Peter ruft Hans nicht an  
 Peter calls Hans not PART  
 ('Peter does not call Hans')

Similar to Gerdes (2002), the VP nodes carry features VF ('Vorfeld'), LK ('Linke Satzklammer'), MF ('Mittelfeld'), and RK ('Rechte Satzklammer') for the topological fields. In German, the vorfeld, the position preceding the left satzklammer, must be filled by exactly one constituent. We guarantee this with the feature VF: The different VF features at the highest VP node in the tree for *ruft an* make sure that adjunction to the vorfeld is obligatory. At the same time, elements adjoining to any of the topological fields (see the tree for *Peter*) have a foot node feature VF = - and have equal top and bottom features VF at their root. When

<sup>4</sup>Exceptions to this generalization are found with verbs that express movement:

- (i) a. Peter geht nicht ins Kino.  
 Peter goes not to\_the movies  
 ('Peter does not go to the movies')  
 b. \*... dass Peter ins Kino nicht geht.  
 ... that Peter to\_the movies not goes  
 ('... that Peter does not go to the movies')

Here the NC-*nicht* is always attached to the adverb that expresses the direction or target of the movement, thus not to the second satzklammer directly. For this paper, we leave these cases aside.

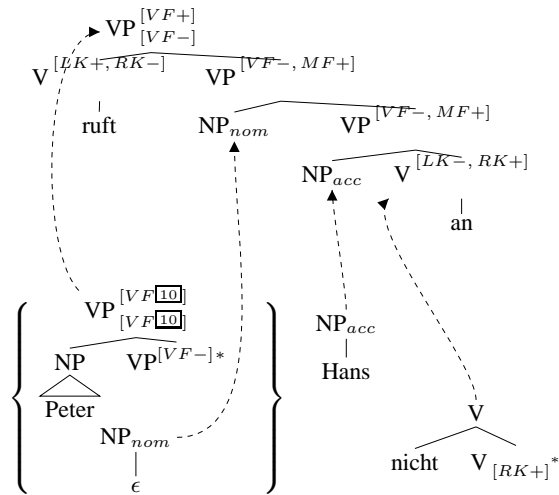


Figure 2: Syntactic analysis for (11)

adjoining to the vorfeld, these receive values +. Consequently, further adjunctions of similar elements at the new root node are not possible. An adjunction at the foot node of the auxiliary tree of the vorfeld element can be excluded by some other feature. This guarantees that exactly one element gets adjoined into the vorfeld.

Note that we consider the base position of the subject NP being in the mittelfeld and consider the subject as being moved into the vorfeld. Alternatively, any other element could be moved in to the vorfeld instead.

The semantic combination of *nicht* and *ruft\_an* is shown in Fig. 3.

The MINP feature from *ruft* indicates the proposition contributed by the verb which is the minimal proposition of the whole elementary tree. It is included in the scope of all operators (quantifiers, negation, modals, ...) attaching to this verb (An exception is of course neg raising where the scope of the negation does not include the MINP value of the NR-verb.).

The unifications between the two feature structures in Fig. 3 are depicted with dotted lines. They yield in particular  $\boxed{9} = \boxed{7}$ , therefore, with constraint  $\boxed{7} \geq l_1$ ,  $l_1$  is in the scope of the negation.

The presence of a negation is indicated by a global  $NEG = yes$ . In case there is no negation, we have to make sure we obtain  $NEG = no$  and not just an unspecified  $NEG$  value. Therefore, the VP spine is articulated with non-global  $NEG$  features that switch from *no* to *yes* once a negation occurs. Here this is the case at node position v, consequently  $\boxed{6} = \boxed{5} = \boxed{4} = \boxed{3} = yes$ . The topmost

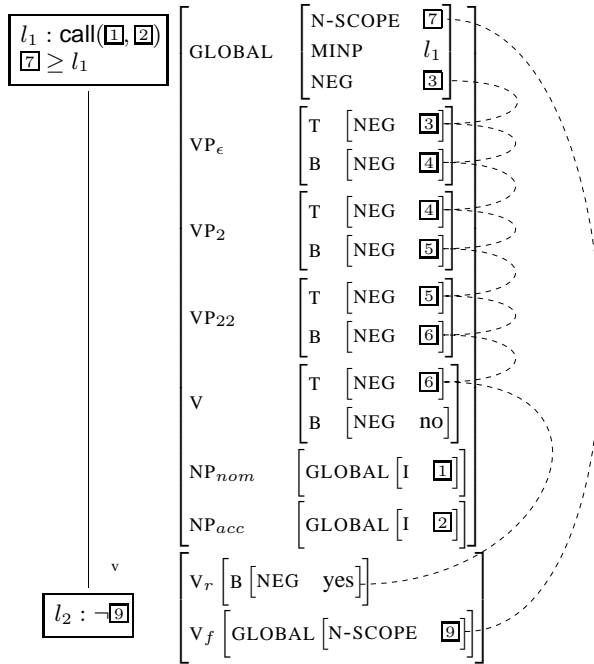


Figure 3: Semantic computation for ... *ruft* ... *nicht an*

NEG then becomes the global NEG.

Cases of double negation, though not considered here, could be captured by assuming that each negation on the verbal spine makes the value of the local NEG feature switch (from *no* to *yes* or, if there was already negation, from *yes* to *no*). This way, double negation would lead to a global NEG feature with value *no*.

The negative quantifier *niemand* has the distribution of an NP. The elementary trees in Fig. 4 for *niemand* reflect the  $\forall\neg$  reading which is preferred by an analysis assuming that the NPI must be in the scope of a negation with no quantifiers intervening. The features NEG, MINP and N-SCOPE work in the same way as in the case of *nicht*. The global I feature linked to the initial tree with the trace passes the argument variable to the verb.

Note that this is an analysis for the case where *niemand* is ‘moved’. If *niemand* is in base position, the lexical item comes with an initial tree that is substituted at the corresponding NP slot. However, since the NEG-feature can only be switched to *yes* by adjoining an auxiliary tree carrying negation to a VP node, even in these cases we need an additional VP auxiliary tree contributing the sentential negation.<sup>5</sup>

<sup>5</sup>Another option would be to let the initial tree of *niemand* directly access the semantic features of a VP node.

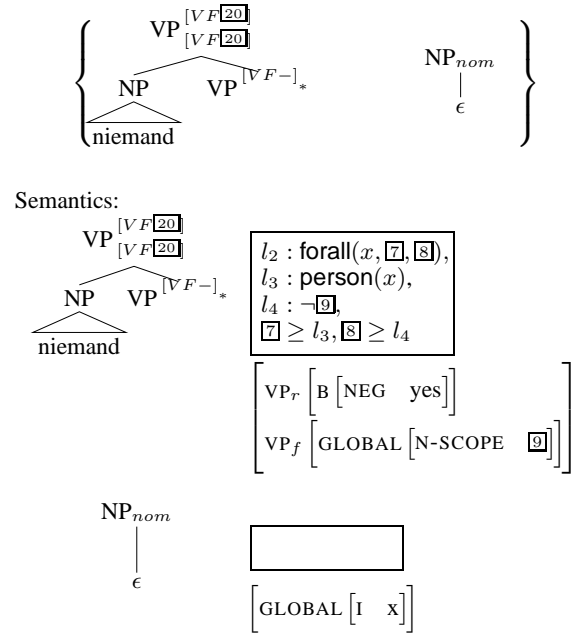


Figure 4: Lexical entry for *niemand*

## 4 The Analysis of NPIs

For this paper we restrict ourselves to verbal NPIs and minimizers.

As an example for a verbal NPI consider *scheren* (‘to give a damn about sth.’) in (3). Its lexical entry is shown in Fig. 5. As in the case of *ruft*, the verbal spine is articulated with the NEG feature. Furthermore, GLOBAL contains the requirement of a negation (NEG = *yes*). In particular, the topmost NEG feature on the verbal spine is *yes* while the value of the lowest NEG feature is *no*. This means that at some point on the verbal spine a negation must be added that switches the value from *no* to *yes*.

Concerning the scope relation between NPI and negation, the following should hold: 1. the NPI must be in the scope of the negation, and 2. quantifiers must not intervene between negation and NPI.

The first condition is guaranteed with constraint  $[9] \geq l_1$ .

In order to capture the second restriction, the distinction between MINS and MINP allows us to draw a border line between the domain where quantifiers can take scope and the domain where the negation and the NPI are positioned. Other scope taking operators (modals, adverbs, ...) are not concerned by this limit. This border line is the MINS value, and the crucial NPI-specific constraint is  $[8] \geq [9]$  stating that the negation must

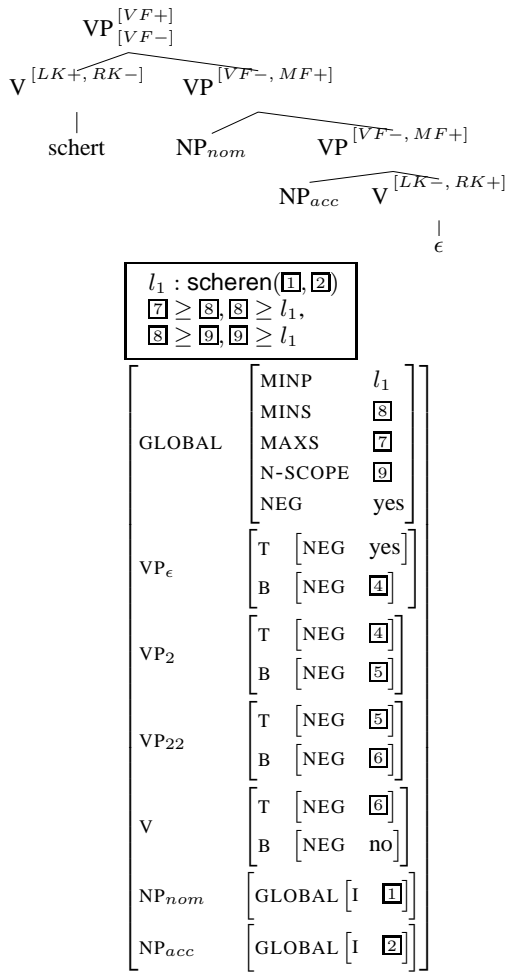


Figure 5: Lexical entry for *schert*

scope under the minimal scope of all quantifiers. The scope relations then can be summarised as in Fig. 6.

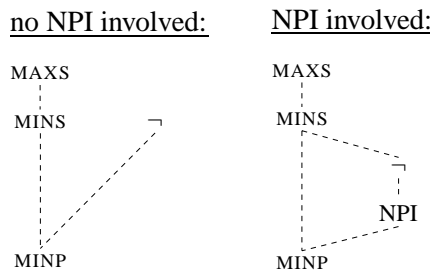


Figure 6: Scope relations of MAXS, MINS and  $\neg$  with and without the involvement of an NPI.

As mentioned in 1.3 minimizers show a more restrictive distribution than verbal NPIs. In addition to the two licensing conditions of verbal NPIs stated above minimizers also obey a third licensing condition in German: the negation must precede the minimizer in the same clause or the negation

must have wide scope with respect to the sentence containing the minimizer, such as in NR constructions. Consider the minimizer *auch nur einen Cent* ('any cent at all') in example (5) and its proposed lexical entry in Fig. 7.

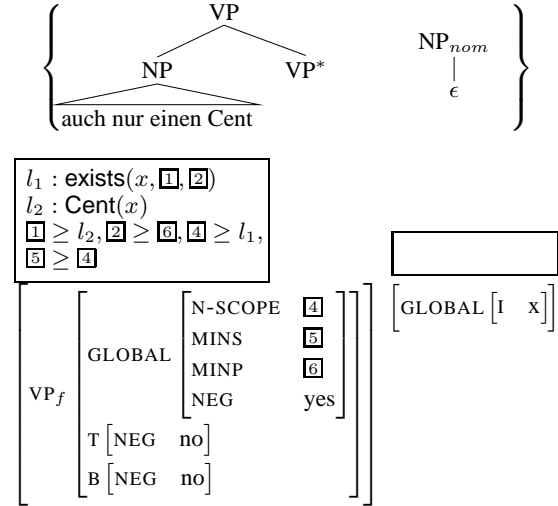


Figure 7: Lexical entry for *auch nur einen Cent*

We propose a multicomponent lexical entry for minimizers here, since they have to access the semantic feature structure of the VP spine, and therefore have to be adjoined. This is different from verbal NPIs (that are part of the VP spine by definition), but similar to the negative quantifier *niemand*. As for verbal NPIs the presence of a negation is ensured by the global NEG feature, that is required to be *yes*. The scope condition is satisfied by the constraints  $\boxed{4} \geq l_1$  and  $\boxed{5} \geq \boxed{4}$ : the former one ensures that the semantic contribution of *auch nur einen Cent* is part of N-SCOPE, while the latter one prohibits any intervening regular quantifier (by requiring N-SCOPE to be a subexpression of MINS).<sup>6</sup>

In order to meet the third condition we have to make sure that the negation appears somewhere to the left of the minimizer. In other words, the negation is not attached between the right satzklammer and the minimizer, but somewhere else (as ensured by the global NEG feature). Remember that the position of a negation is signaled by the local NEG feature on the VP spine and its switch from *no* to *yes*. One way to exploit this is to let the minimizer semantically specify the VP node to which

<sup>6</sup>Note that, though being quantifiers, minimizers are not concerned by the MAXS-MINS scope window. Instead, their scope window is specified by N-SCOPE as upper limit and MINP as lower limit (the latter results from constraint  $\boxed{2} \geq \boxed{6}$ ).

it can be attached. This is accomplished by the  $VP_f$  feature in the lexical entry for *auch nur einen Cent*, where the local NEG is required to be *no*, while the global NEG is *yes*. Thereby it is guaranteed that somewhere between the position where the adjunction of the minimizer takes place and the maximal projection of the VP the NEG feature has to switch to *yes* with the aid of a negative item.

## 5 The Analysis of Neg Raising

Now let us turn to the neg raising examples from section 1.4. Attitude verbs that optionally offer neg raising are mapped onto two lexical entries representing a non-NR- and a NR-reading. In the latter, the negation takes wide scope within the embedded clause. In other words, quantifiers cannot scopally intervene between the embedding verb and the negation. This is exemplified in (12).

- (12) Peter glaubt nicht, dass jeder seiner  
 Peter believes not that each of his  
 Freunde kommen wird.  
 friends come will.  
 ('Peter does not believe that each of his  
 friends will come')

The NR-reading ( $\text{believes}(p, \dots \neg \dots)$ ) does not exclude that Peter believes that some of his friends will come. A reading where Peter believes that none of his friends will come is not available. In other words, the quantifier has to scope under the negation.

The lexical entry for *glaubt* with the NR-reading is shown in Fig. 8. In the syntax we assume a substitution node for the sentential complement. Long-distance dependencies are then analysed with multicomponents. This choice was motivated because in German, taking into account scrambling, more movement-based word order variations are possible than in English. For these we need multicomponents anyway (see the elementary tree set for *niemand*), and then sentential complements might be treated in parallel. The S substitution node carries a syntactic feature NR indicating that this is a neg raising construction.

The lowering of the negation is expressed as follows: the N-SCOPE of *glaubt* (variable [7]), i.e., the scope of the attaching negation, does not contain the MINP of *glaubt* as in non-NR readings. Instead, it contains the MAXS (variable [9]) of the embedded sentence (constraint [7]  $\geq$  [9]). This MAXS is usually contained in the propositional argument

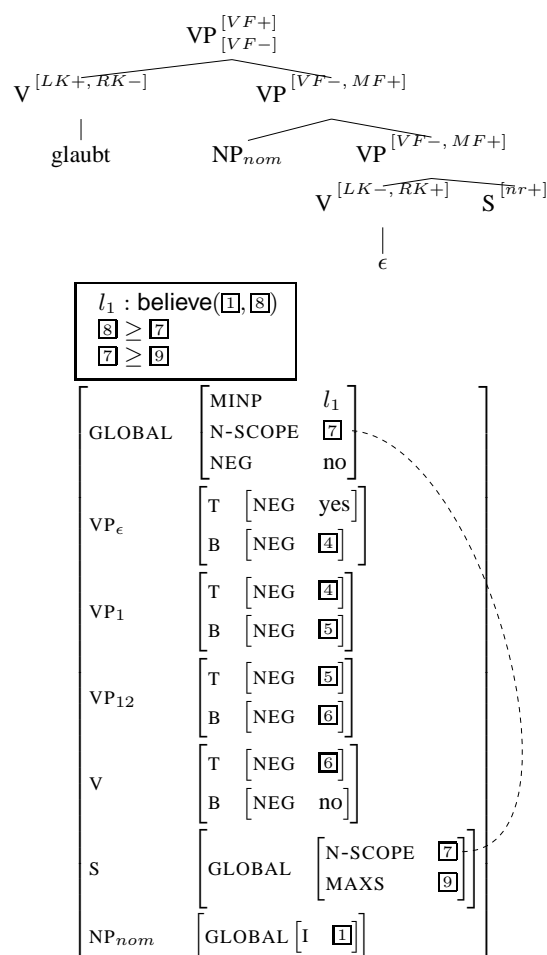


Figure 8: Lexical entry for *glaubt*

of *believe* (see Kallmeyer and Romero, 2005); in this special neg raising entry we even require the N-SCOPE to be contained in this argument (constraint [8]  $\geq$  [7]). The MAXS feature [9] marks the upper limit for the scope of all quantifiers occurring inside the embedded clause. Consequently, wide scope of the lowered negation with respect to the embedded sentence is ensured.

The lexical entry for *glaubt* with NR-reading also has to make sure that a negative element is attached to its verbal spine. In this respect its semantic feature structure resembles the one of a verbal NPI, that is the NEG value has to be switched to *yes* by adjunction. However, semantically the negation is interpreted in the embedded sentence and NPIs cannot be licensed in the matrix clause. Therefore, the value of the global NEG feature is *no*.

The complementizer of the embedded clause takes care of setting the value of the embedded global NEG to *yes* by identifying the NEG feature of its S node with the topmost NEG feature on the

verbal spine of the embedded clause. In a non-NR-reading, the complementizer only passes the NEG value upwards, i.e., the global NEG of the embedded clause specifies whether a negation is present in the embedded clause.

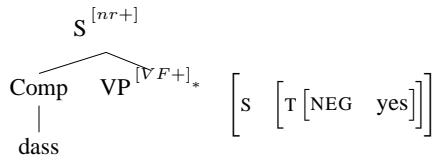


Figure 9: Complementizer *dass* in neg raising construction

With this analysis, if a NR-verb embeds an NPI as in (8), the NPI requires the NR-reading; otherwise the global NEG feature of the embedded clause is *no*.

Next, we want to give an example derivation of a sentence that contains an *unlicensed* NPI and which amounts to contradicting scope constraints. It concerns the following sentence:

- (13) \*Hans glaubt **nicht**, dass es jeden  
Hans believes not, that it everybody  
schert.  
bothers  
(‘Hans doesn’t believe that everybody  
gives a damn about it.’)

The NPI *schert* is not licensed due to the intervening quantifier *jeden* (every). The defective derivation of (13) is shown in Fig. 10. Syntactically, the *S* leaf of the *Hans\_glaubt\_nicht* tree is substituted by the *dass\_es\_schert* tree and the *jeder* tree is substituted into the *dass\_es\_schert* tree. This works fine. In the semantic representation, however, we observe a clash of the scope constraints. Remember that we analyse the verbal NPI *schert* as requiring immediate scope, that is  $\text{MINS} \geq \text{N-SCOPE}$ . On the other side, the NR-verb *glauben* demands the negation to have wide scope with respect to the embedded sentence, hence  $\text{N-SCOPE} \geq \text{MAXS}$  (constraint  $l_2 \geq \textcircled{3}$ ). If we put these two constraints together we obtain the constraint  $\text{MINS} = \text{MAXS}$ , which means that the area where quantifiers take scope (the  $\text{MAXS-MINS}$  window) is empty and hence there cannot be any quantifiers. A quantifier such as *jeden* is then ruled out due to two semantic constraints it contributes: its semantic content is a subexpression of  $\text{MAXS}$  (constraint  $\textcircled{3} \geq l_3$ ) and  $\text{MINS}$  is a subexpression of its nuclear scope (constraint

$\textcircled{6} \geq l_2$ ). However, this can only hold if  $\text{MINS} \neq \text{MAXS}$  which is not true for (13) as has been shown.

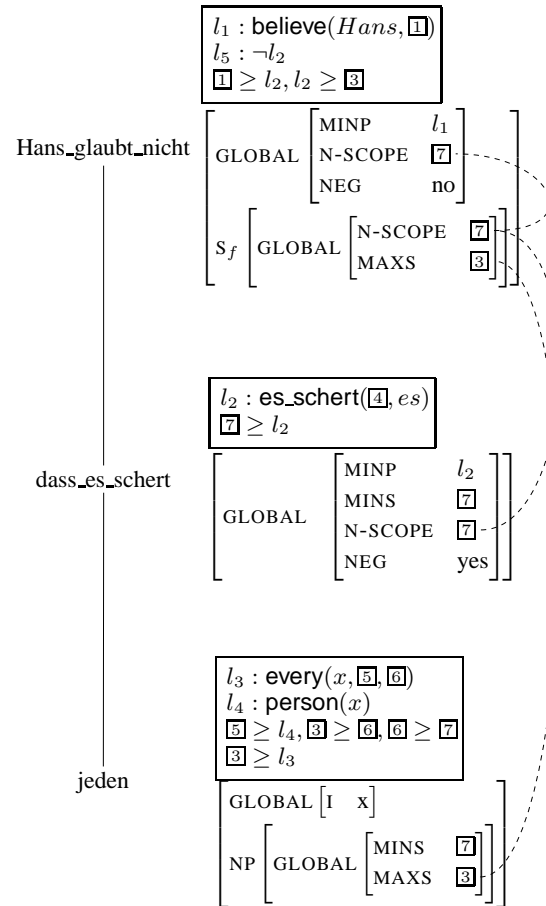


Figure 10: Defective derivation tree for *Hans glaubt nicht, dass es jeden schert*

## 6 Conclusion and further research

We propose an LTAG analysis of the distribution of German NPIs. The crucial criterion for an NPI is the requirement to be in the scope of a negation that is semantically in the same finite clause such that no quantifier can scopally intervene between negation and NPI. Technically we achieved this using the features NEG and N-SCOPE, that signal the presence of a negation and make its immediate scope available for the NPI.<sup>7</sup> The specific constraints for quantifiers when occurring with

<sup>7</sup>Note however, that, even though we have called the feature signalling the presence of a potential NPI licenser NEG, we might as well call it differently and give it a different meaning (for example, encoding downward entailment instead of negation). The licensing mechanism and the way this feature is used could stay the same. In this sense our analysis is independent from the concrete logical characterization of NPI licensers.



NPI licensing negations are obtained by a distinction between the feature MINS characterizing the lower boundary of quantifier scope and the minimal proposition contributed by a verb that characterizes the lower boundary for the scope of negations.

We think LTAG is particularly well suited to describe this phenomenon since the relation between licenser and licensee can be localized within single elementary trees.<sup>8</sup> The only exception are neg raising constructions where the licensing property needs to be passed down to the embedded clause. This is not non-local either and can be easily modelled in LTAG. This shows that LTAG's extended domain of locality has advantages not only for syntax (see Kroch, 1987) but also for semantics.

The analyses discussed in this paper have demonstrated the usefulness of semantic feature structure descriptions that specify the combination possibilities of semantic representations and that are separated from the semantic representations themselves. On the one hand the semantic features encode the contributions of the semantic representations to functional applications. I.e., they state which elements are contributed as possible arguments for other semantic expressions and which arguments need to be filled. They thereby simulate lambda abstraction and functional application. On the other hand they also serve to model the scopal behaviour of different operators and to capture the different boundaries for scope. The combination of LTAG's extended domain of locality with a semantics using feature structure unification enables us to capture these constraints within a mildly context-sensitive framework: The structures underlying the computation of syntax and semantics are the context-free derivation trees.

One line of further research we want to pursue is an extension of the proposed analysis to adjectival and adverbial NPIs. We already started working on this. But for reasons of space we left this out in this paper.

## Acknowledgements

For many inspiring discussions of the topics treated in this paper, we are grateful to our colleagues Wolfgang Maier, Frank Richter, Manfred

Sailer and Jan-Philipp Söhn. Furthermore, the paper benefitted a lot from the useful comments of three anonymous reviewers.

## References

- Kim Gerdes. 2002. DTAG? In *Proceedings of TAG+6 Workshop*, pages 242–251. Venice.
- Anastasia Giannakidou. 1997. *The Landscape of Polarity Items*. Ph.D. thesis, Rijksuniversiteit Groningen.
- Jack Hoeksema. 2000. Negative Polarity Items: Triggering, Scope and C-Command. In Laurence Horn and Yasuhiko Kato, editors, *Negation and Polarity*, pages 115–146. Oxford University Press, Oxford.
- Laurence R. Horn. 1978. Remarks on Neg-Raising. In Peter Cole, editor, *Pragmatics*, pages 129–220. Academic Press, New York, San Francisco, London.
- Joachim Jacobs. 1982. *Syntax und Semantik der Negation im Deutschen*. Wilhelm Fink Verlag, München.
- Laura Kallmeyer and Maribel Romero. 2005. Scope and Situation Binding in LTAG using Semantic Unification. *Research on Language and Computation*. 57 pages, submitted.
- Laura Kallmeyer and Maribel Romero. 2006. Quantifier Scopep in German: An MCTAG Analysis. In *Proceedings of The Eighth International Workshop on Tree Adjoining Grammar and Related Formalisms (TAG+8)*, Sydney, Australia, July.
- Anthony S. Kroch. 1987. Unbounded Dependencies and Subjacency in a Tree Adjoining Grammar. In A. Manaster-Ramer, editor, *Mathematics of Language*, pages 143–172. John Benjamins, Amsterdam.
- William Ladusaw. 1980. *Polarity Sensitivity as Inherent Scope relations*. Garland Press, New York.
- Marcia Linebarger. 1980. *The Grammar of Negative Polarity*. Ph.D. thesis, MIT. cited after the reproduction by the Indiana University Linguistics Club, Indiana, 1981.
- Marcia Linebarger. 1987. Negative Polarity and Grammatical Representation. *Linguistics and Philosophy*, 10:325–387.
- Manfred Sailer. to appear. “Don’t Believe” in Under-specified Semantics. an LRS Analysis of Neg Raising. *Empirical Issues in Formal Syntax and Semantics* 6.
- Jan-Philipp Soehn. 2006. *Über Barendienste und erstaunte Bauklötze - Idiome ohne freie Lesart in der HPSG*. Ph.D. thesis, Friedrich-Schiller Universität Jena.

<sup>8</sup>In the HPSG analysis from Soehn (2006) for example, where we do not have an extended domain of locality, one has to specify explicitly that the licenser of an NPI must be found within the next complete clause containing the NPI.

- Ton van der Wouden. 1997. *Negative Contexts. Collocation, Polarity and Multiple Negation*. Routledge, London.
- K. Vijay-Shanker and Aravind K. Joshi. 1988. Feature Structures Based Tree Adjoining Grammar. In *Proceedings of COLING*, pages 714–719, Budapest.
- Frans Zwarts. 1997. Three Types of Polarity. In Fritz Hamm and Erhard W. Hinrichs, editors, *Plurality and Quantification*, pages 177–237. Kluwer Academic Publishers, Dordrecht.